



Floccells offer inline or continuous, large volume, batch sample processing. Floccells are ideal for mixing and dispersing applications. Batch volumes can be recirculated through the system multiple times if increased sonication time is needed. Multiple units can be used in succession to reduce processing time and/or maintain an even higher flow rate.

The liquid sample is pumped into the Floccell through the inlet at the bottom of the unit. As the sample passes through the cavitation field, it is processed. The processed liquid exits the unit through an outlet port. The sample can be recirculated multiple times if necessary. The degree of processing can be controlled by adjusting the intensity of sonication as well as flow rate.

Low Volume Continuous Floccell



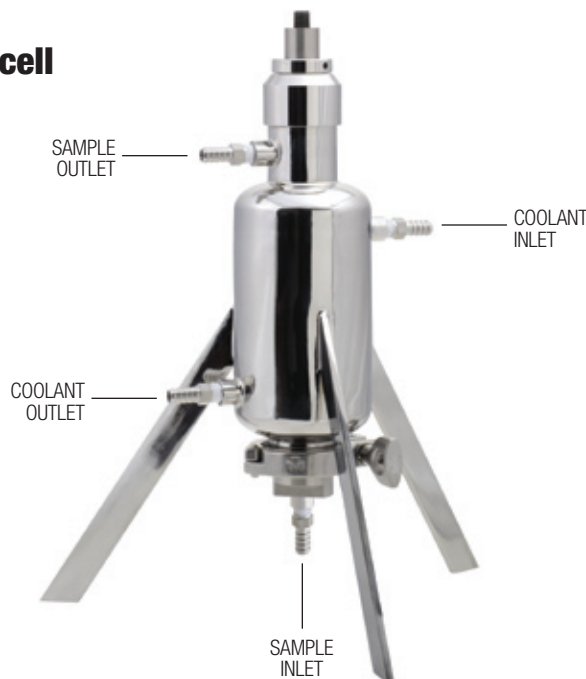
Part # 4495

SPECIFICATIONS:

- Dimensions: 9" H x 2" W
- Uses standard 1/2" probe
- Material: 316L stainless steel
- Operating pressure: up to 40 psi
- Internal volume (with probe in place): 65 ml
- Maximum flow rate: 0.5 liters/min.
- 1/4" NPT fittings

High Volume Continuous Floccell

(only for use with Q700)



Part # 4583

SPECIFICATIONS:

- Dimensions: 17" H x 16" W
- Uses 1" diameter extender probe
- Material: 316L stainless steel
- Operating pressure: up to 100 psi
- Sanitary connections
- CIP/SIP ready
- Water jacketed for cooling
- Internal volume (with probe in place): 400 ml
- Maximum flow rate: 20 liters/min.